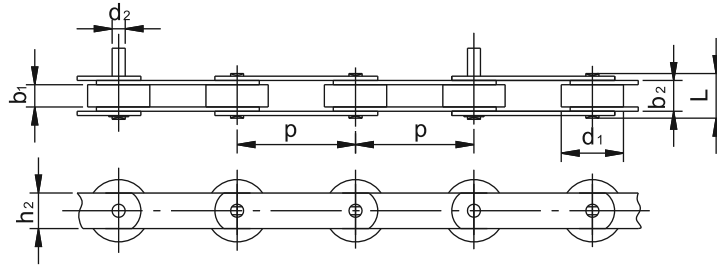
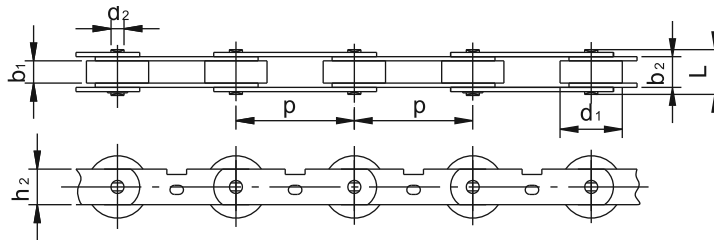




CATENE PER SCALE MOBILI
ESCALATOR STEP CHAINS

Catene per **scale mobili** standard / *Standard Escalator Step Chains*


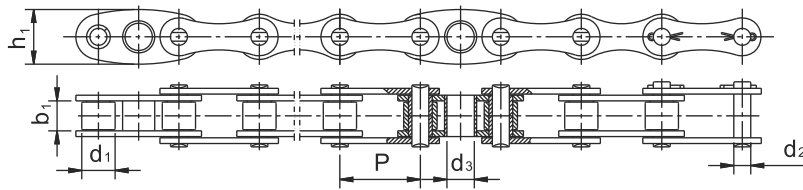
Catena Chain	Passo Pitch	Diam. Rullo Roller diameter	Larghezza interna Width between inner plates	Diametro Perno Pin diameter	Altezza piastra Inner plate depth	Lunghezza rullo Outer width of roller link	Diam. interno bussola Inner diameter of bush	Largh. catena ribadita Riveted chain width	Carico di prova Test load	Carico di rottura min. Ultimate tensile strength	Attacco tipo Attachment Type	Numero gradini per maglia Steps per link	Distanza tra i gradini Distance between steps
	p	d ₁ max	b ₁ min	d ₂ max	h ₂ max	b ₂ max	*d ₃ min	L max	Q min				
	mm	mm	mm	mm	mm	mm	mm	mm	N	kN			
TL133	133.33	70.2	27	14.63	40.5	37.5	14.72	55	9000	180	D	3	400
TL133H	133.33	80	27	24	50	37.5	24.1	56.5	10000	220	D	3	400
TL135	135.47	76.4	22.3	12.8	32	32.6	12.87	49.7	6150	123	D	3	406.4

 *d₃ non indicato / *d₃ not shown


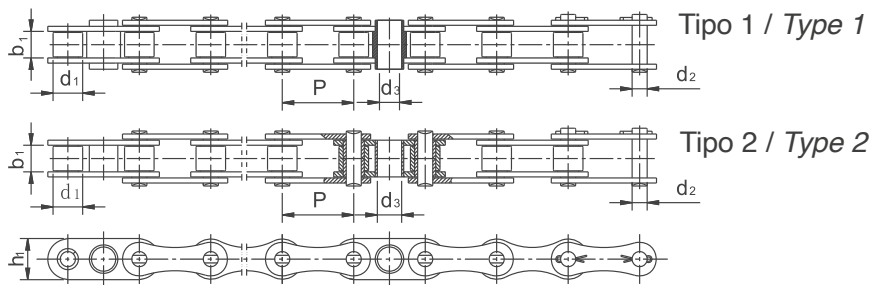
Catena Chain	Passo Pitch	Diam. Rullo Roller diameter	Larghezza interna Width between inner plates	Diametro Perno Pin diameter	Altezza piastra Plate depth	Larghezza rullo Outer width of roller link	Diam. interno bussola Inner diameter of bush	Largh. catena ribadita Riveted chain width	Carico di prova Test load	Carico di rottura min. Ultimate tensile strength	Attacco Tipo Attachment Type
	p	d ₁ max	b ₁ min	d ₂ max	h ₂ max	b ₂ min	*d ₃ min	L max	Q min		
	mm	mm	mm	mm	mm	mm	mm	mm	N	kN	
RL133	133.33	70.2	27	14.63	40.5	37.5	14.72	55	9000	180	-
RL135	134.5	70.2	27	14.63	40.5	37.5	14.72	55	9000	180	-

 *d₃ non indicato / *d₃ not shown

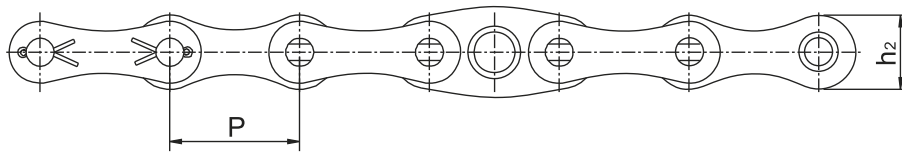
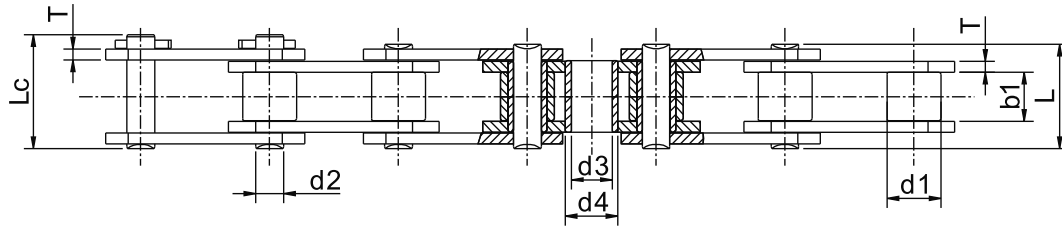
Catene per **scale mobili** standard / *Standard Escalator Step Chains*



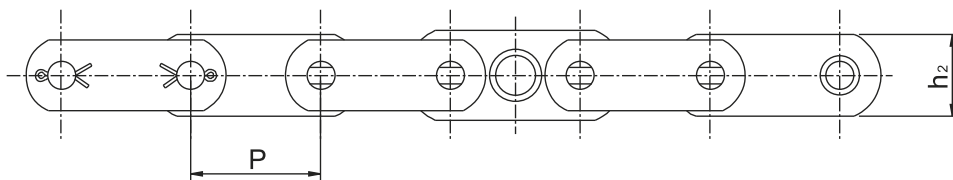
Catena Chain	Passo Pitch	Diam. Rullo Roller diameter	Larghezza interna Width between inner plates	Diametro Perno Pin diameter	Altezza piastra Inner plate depth	Diam. interno bussola Inner diameter of bush	Carico di rottura min. Ultimate tensile strength
	p	d ₁ max	b ₁ min	d ₂ max	h ₁ max	d ₃ min	Q min
	mm	mm	mm	mm	mm	mm	N/kgf
Y899HC	67.733	28	25.215	14.29	46	23	88260/9000
Y899HD	67.733	28	25.215	14.29	46	23	147100/15000
T67	67.733	28	25.4	14.27	46	21	88260/9000
T67G	67.733	28	25.4	14.27	46	21	147100/15000
F-9	67.6	28	25.4	14.29	-	21	88260/9000
F-14	67.6	28	25.4	14.29	-	21	137200/14000
g-9	66.6	25.4	20.6	9.54	-	20	88260/9000



Catena Chain	Passo Pitch	Diam. Rullo Roller diameter	Larghezza interna Width between inner plates	Diametro Perno Pin diameter	Altezza piastra Inner plate depth	Diam. interno bussola Inner diameter of bush	Carico di rottura min. Ultimate tensile strength
	p	d ₁ max	b ₁ min	d ₂ max	h ₁ max	d ₃ min	Q min
	mm	mm	mm	mm	mm	mm	N/kgf
T68	68.40	32.00	20.70	14.29	45.40	23.50	127500/13000
T68A	68.40	28.00	20.70	12.70	44.90	21.00	98000/10000
1-20	81.28	39.69	38.10	19.84	-	24.00	196000/20000
1-28	81.28	39.69	38.10	19.84	-	24.00	274400/28000
g-12.7	81.28	31.75	31.75	12.70	-	20.828	124460/12700

Catene per **scale mobili** standard / *Standard Escalator Step Chains*


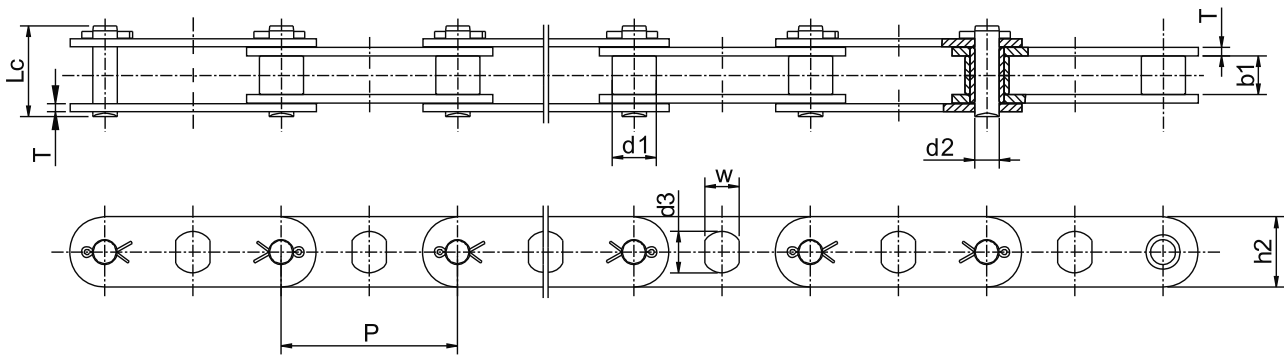
Tipo 1 / Type 1



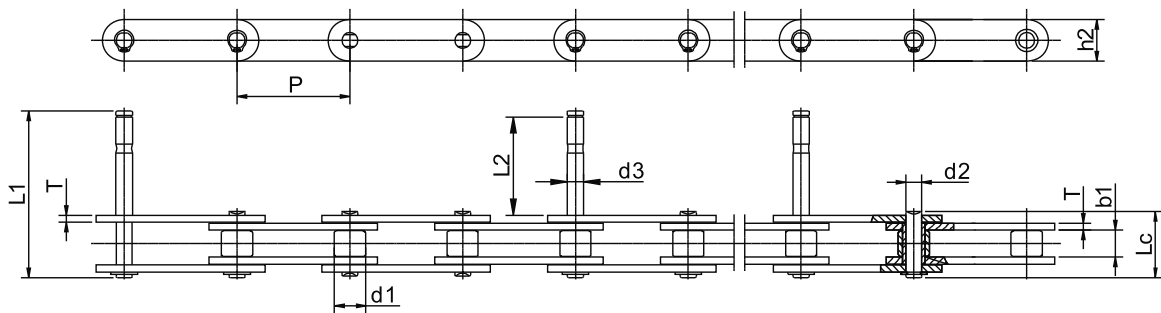
Tipo 2 / Type 2

Catena Chain	Passo Pitch	Diam. Rullo Roller diameter	Larghezza interna Width between inner plates	Diametro Perno Pin diameter	Largh. catena ribadita Riveted chain width		Altezza piastra Plate depth	Spessore piastra Plate thickness	Diam. interno bussola Inner diameter of bush	Larghezza rullo Outer width of roller link	Carico di rottura min. Ultimate tensile strength	Numero gradini per maglia Steps per link	Distanza tra i gradini Distance between steps	Tipo Type
	P	d ₁ max	b ₁ min	d ₂ max	L max	Lc max	h ₂ max	T	d3	d4	Q min			
	mm	mm	mm	mm	mm	mm	mm	mm	mm	mm	kN			
T66	66.667	28	25.4	14.29	51.4	56	38	4.8	21	27	147	6	400	I
T66H	66.667	28	25.4	14.29	54.1	59.1	42.2	5.6	21	27	215.6	6	400	II

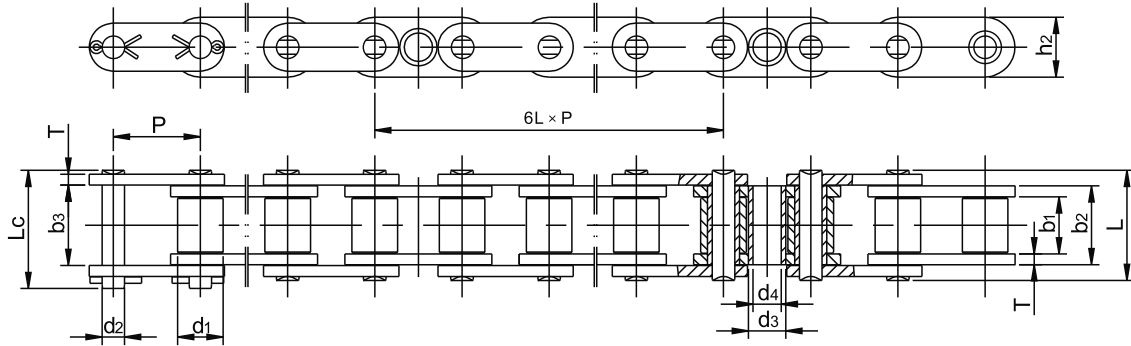
Catene per **scale mobili** standard / **Standard Escalator Step Chains**



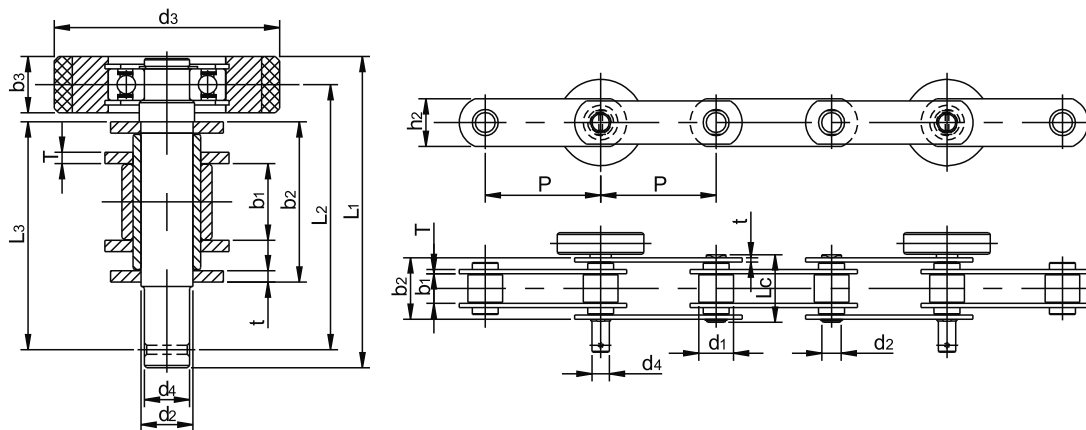
Catena Chain	Passo Pitch	Diam. Rullo Roller diameter	Larghezza interna Width between inner plates	Diametro Perno Pin diameter	Largh. catena ribadita Riveted chain width	Altezza piastra Plate depth	Spessore piastra Plate thickness	Diametro degli attacchi Attachments diameter		Carico di rottura min. Ultimate tensile strength
	P	d ₁ max	b ₁ min	d ₂ max	Lc max	h ₂ max	T	d3	w	Q min
	mm	mm	mm	mm	mm	mm	mm	mm	mm	kN
TL101.6	101.6	25.4	22.23	14.29	52.3	40.5	4.75	23.85	23.04	133.28



Catena Chain	Passo Pitch	Diam. Rullo Roller diameter	Larghezza interna Width between inner plates	Diametro Perno Pin diameter	Largh. catena ribadita Riveted chain width	Altezza piastra Plate depth	Spessore piastra Plate thickness	Diametro degli attacchi Attachments diameter			Carico di rottura min. Ultimate tensile strength
	P	d ₁ max	b ₁ min	d ₂ max	Lc max	h ₂ max	T	d3	L1	L2	Q min
	mm	mm	mm	mm	mm	mm	mm	mm	mm	mm	kN
TL101.244	101.244	28	24.2	14.29	58.4	37	6.3	14.94	149.5	88.2	182.28

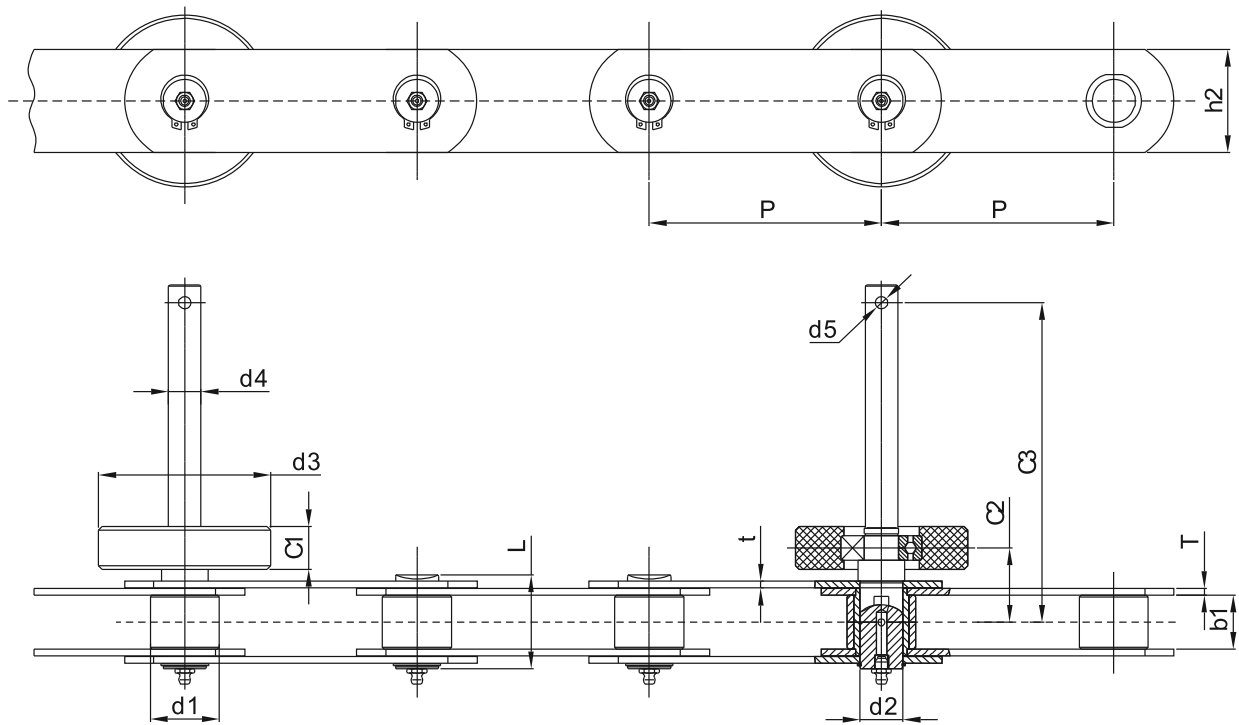
Catene per **scale mobili** standard / *Standard Escalator Step Chains*


Catena Chain	Passo Pitch	Dimensioni Dimensions											Carico di rottura min. Ultimate tensile strength	Peso al metro Weight per meter
	P	d ₁ max	d ₂ max	d ₃	d ₄	b ₁ min	b ₂ max	b ₃ min	h ₂ max	L max	L _c max	T	Q _s kN	q kg/m
TL67.73	67.73	35.4	14.46	29	22	43.3	61.3	62.3	46.4	85.5	91.8	8.5	274.4	13.5

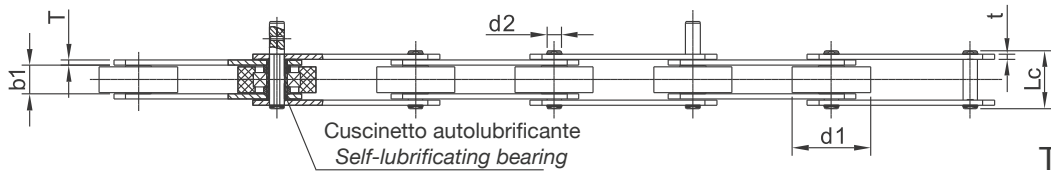
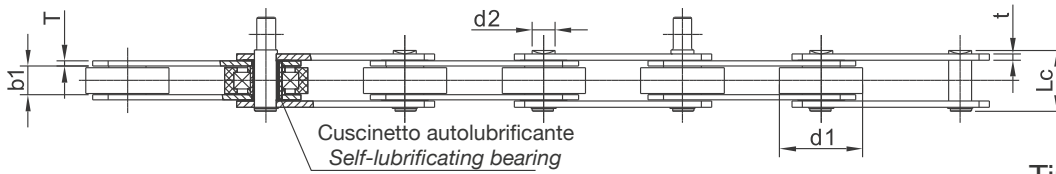
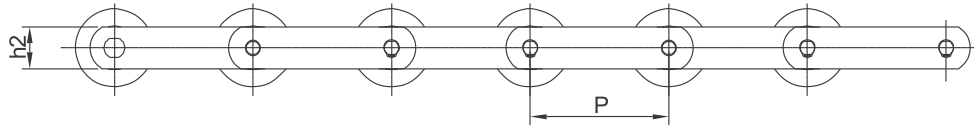
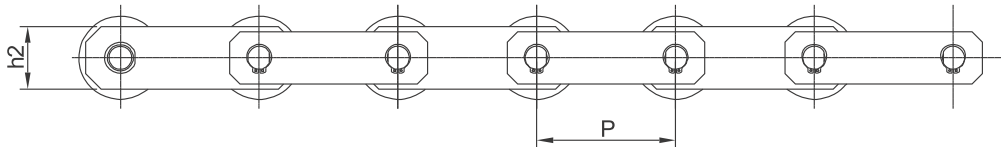


Catena Chain	Passo Pitch	Dimensioni Dimensions													Carico di rottura min. Ultimate tensile strength
	P	d ₁ max	d ₂ max	d ₃	d ₄	b ₁ min	b ₂ max	b ₃	h ₂ max	L _c max	T/t	L ₁	L ₂	L ₃	Q _s kN
TL133Hc	133.33	40/45	23	100	20	33.7	71	25	55	78.5	5.0	138	117.5	101	260.0
TL133Hd	133.33	55	32	100	20	33.3	71	25	75	79	6.0/5.0	138	117.5	101	400.0

Catene per carichi **con pendenze elevate** / Heavy-duty & **High Gradient** Escalator Step Chains

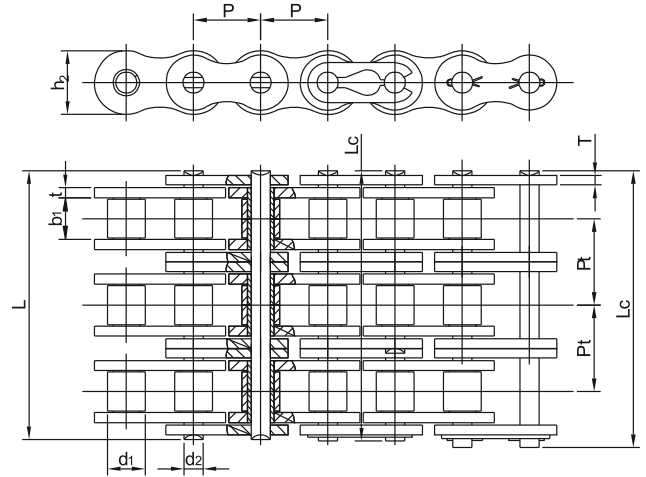
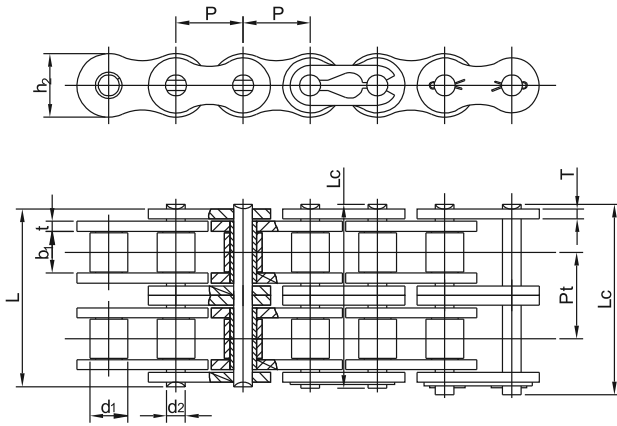


Catena Chain	Passo	Diam. Rullo	Larghezza interna	Diametro Perno	Largh. catena ribadita	Altezza piastra	Spessore piastra	Diametro degli attacchi						Carico di rottura min.	Numero gradini per maglia	Distanza tra i gradini
	Pitch	Roller diameter	Width between inner plates	Pin diameter	Riveted chain width	Plate depth	Plate thickness	Attachments diameter						Ultimate tensile strength	Steps per link	Distance between steps
	P	d ₁ max	b ₁ min	d ₂ max	L max	h ₂ max	T/t	d3	d4	d5	C1	C2	C3	Q min		
	mm	mm	mm	mm	mm	mm	mm	mm	mm	mm	mm	mm	mm	kN		mm
LT135Ha	135	54	31.3	40	61.6	75	5	100	19	6.2	25	43	185.6	320	3	405
LT135Hb	135	40	31.3	26	57.6	60	4.5	100	19	6.2	25	43	185.6	205	3	405
LT135Hc	135	54	31.3	32.5	60	75	5	100	19	6.2	25	43	185.6	270	3	405
LT135Hd	135	54	31.3	40.2	65.75	75	7/5.5	100	19	6.2	25	43	185.6	408	3	405

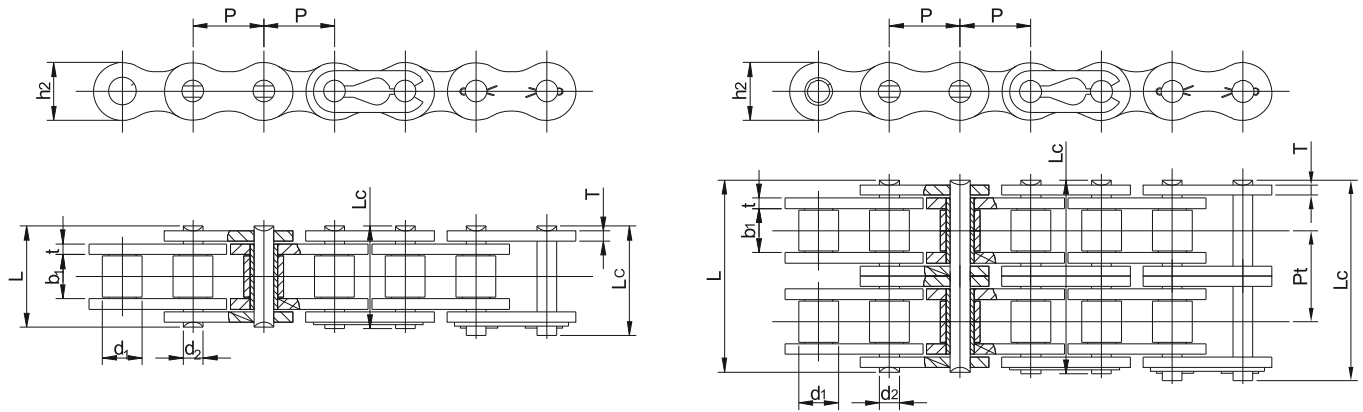
Catene per scale mobili senza manutenzione / No Maintenance Escalator Step Chains

Tipo 1 / Type 1

Tipo 2 / Type 2


Catena Chain	Passo Pitch	Diam. Rullo Roller diameter	Larghezza interna Width between inner plates	Diametro Perno Pin diameter	Largh. catena ribadita Riveted chain width	Altezza piastra Plate depth	Spessore piastra Plate thickness	Carico di rottura min. Ultimate tensile strength	Numero gradini per maglia Steps per link	Distanza tra i gradini Distance between steps	Tipo Type
	P	d ₁ max	b ₁ min	d ₂ max	L max	h ₂ max	T/t	Q min			
	mm	mm	mm	mm	mm	mm	mm	kN		mm	
TI133c	133.33	75	27	13.85	55.4	40	5	180	3	400	I
TL133Hg	133.33	80	27	22	58.8	60	5/6	230	3	400	II

Catene guida / Driving Chains



Catena Chain	Passo	Diam. Rullo	Larghezza interna	Diametro Perno	Largh. catena ribadita		Altezza piastra	Spessore piastra	Passo trasvers.	Carico di rottura min.	Carico di rottura medio	Peso al metro
	Pitch	Roller diameter	Width between inner plates	Pin diameter	L	Lc	Plate depth	Plate thickness	Transverse pitch	Ultimate tensile strength	Average tensile strength	Weight per meter
	P	d ₁ max	b ₁ min	d ₂ max	L max	Lc max	h ₂ max	t/T	Pt	Q min	Q ₀	q ≈
	mm	mm	mm	mm	mm	mm	mm	mm	mm	kN	kN	kg/m
16A-2F	25.4	15.88	15.75	7.92	62.7	67.1	24.13	3.26	29.29	111.2	143.0	5.15
16B-2F	25.4	15.88	17.02	8.28	68.0	73.4	21.08	4.09/3.10	31.88	106.0	126.5	5.42
20A-2F	31.75	19.05	18.90	9.53	76.4	83.1	30.18	4.00	35.76	173.5	215.6	7.80
20B-2F	31.75	19.05	19.58	10.19	79.7	85.8	26.42	4.60/3.60	36.45	170.0	210.0	7.20
20AFT-2	31.75	19.05	18.90	9.53	76.4	80.5	30.10	4.00	35.76	211.68	262.5	8.09
20A-3	31.75	19.05	18.90	9.53	112.2	116.3	30.00	4.00	35.76	265.5	309.6	11.77
20AFT-3	31.75	19.05	18.90	9.53	112.2	116.3	30.10	4.00	35.76	330	395.0	12.1
24A-2	38.10	22.23	25.22	11.10	95.8	99.7	35.70	4.80	45.44	254.00	314.9	11.70
20B-3	31.75	19.05	19.56	10.19	114.2	117.9	26.40	4.60/3.60	36.45	250	290.0	10.82
24B-2	38.10	25.40	25.40	14.63	101.7	106.2	33.20	5.80/4.80	48.36	280.0	319.2	13.40

Catene per corrimano / Handrail Driving Chains


Catena Chain	Passo	Diam. Rullo	Larghezza interna	Diametro Perno	Largh. catena ribadita		Altezza piastra	Spessore piastra	Passo trasvers.	Carico di rottura min.	Carico di rottura medio	Peso al metro
	Pitch	Roller diameter	Width between inner plates	Pin diameter	Riveted chain width		Plate depth	Plate thickness	Transverse pitch	Ultimate tensile strength	Average tensile strength	Weight per meter
	P	d ₁ max	b ₁ min	d ₂ max	L max	Lc max	h ₂ max	t/T	Pt	Q min	Q ₀	q _≈
	mm	mm	mm	mm	mm	mm	mm	mm	mm	kN	kN	kg/m
16A-2	25.40	15.88	15.75	7.92	62.7	64.3	24.00	3.25	29.29	113.40	141.8	5.15
16AFT-2	25.40	15.88	15.75	7.92	62.7	65.8	24.00	3.25	29.29	132.3	165.4	5.51
16B-1	25.40	15.88	17.02	8.28	36.1	37.4	21.00	4.15/3.10	/	60.0	72.8	2.71
16B-2	25.40	15.88	17.02	8.28	68.0	69.3	21.00	4.15/3.10	31.88	106.0	133.0	5.42