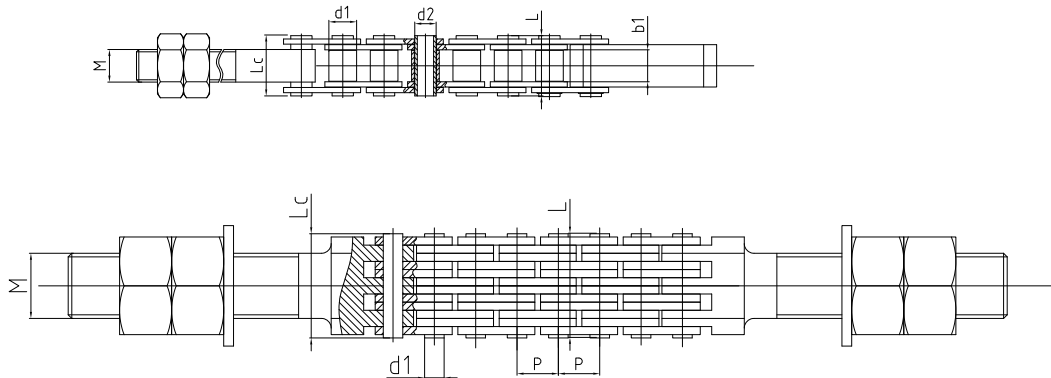
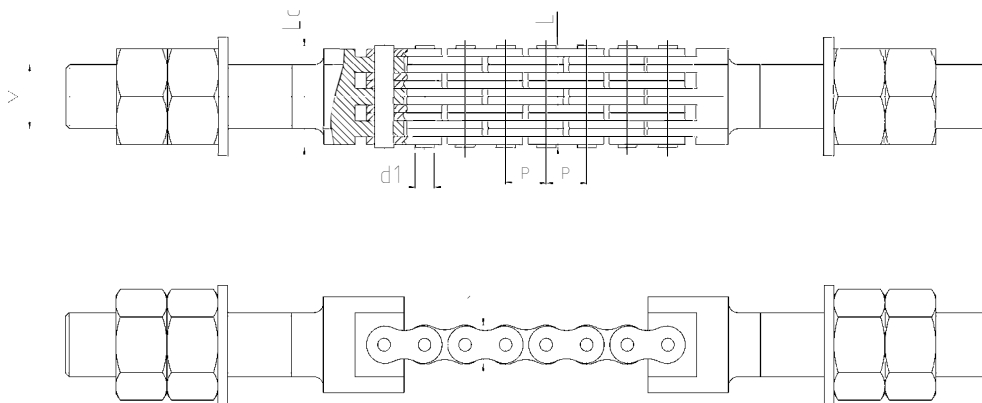




CATENE PER SOLLEVAMENTO VEICOLI
VEHICLES LIFTING CHAINS

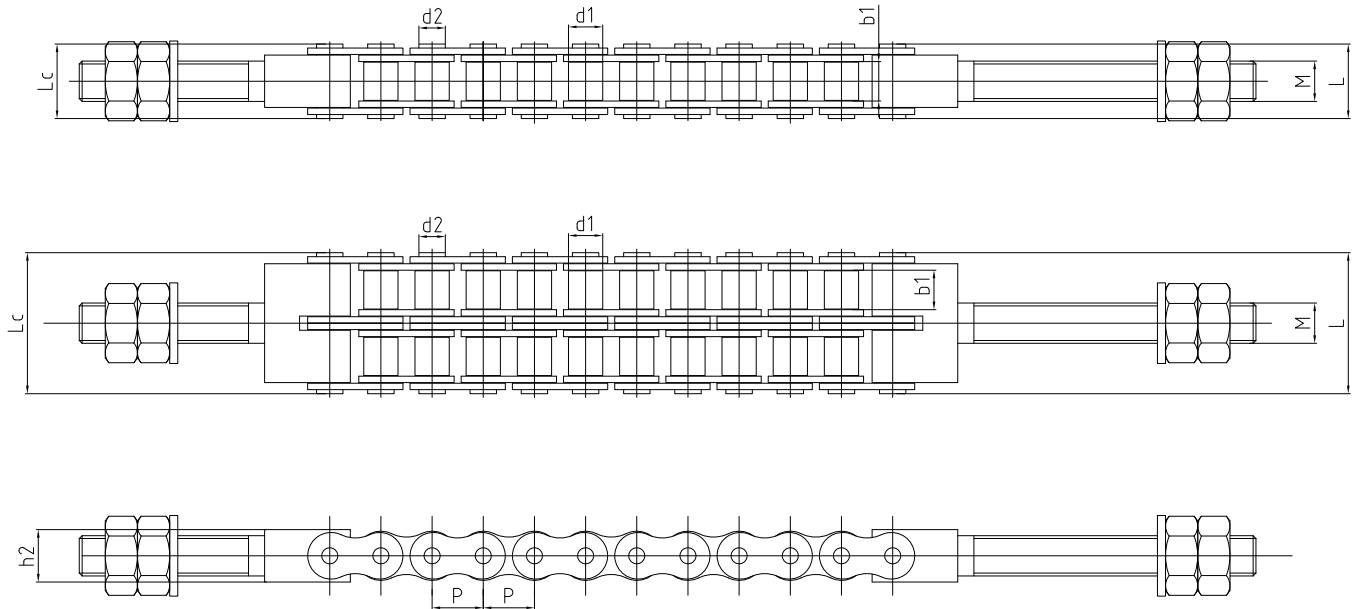
Catene per sollevamento veicoli / *Vehicles lifting chains*


Catena Chain	Passo <i>Pitch</i>	Diam. Rullo <i>Roller diameter</i>	Larghezza interna <i>Width between inner plates</i>	Diametro Perno <i>Pin diameter</i>	Largh. catena ribadita <i>Riveted chain width</i>		Altezza piastre interne <i>Inner plates depth</i>	Bullone <i>Bolt Type</i>	Carico di rottura min. <i>Ultimate tensile strength</i>	Carico di rottura medio <i>Average tensile strength</i>	Peso al metro <i>Weight per meter</i>
	P	d ₁ max	b ₁ min	d ₂ max	L max	Lc max	h ₂ max	M nom	Q min	Q ₀	q ≈
	mm	mm	mm	mm	mm	mm	mm	mm	kN	kN	kg/m
LT40-1	12.70	7.95	7.85	3.96	16.55	18.20	12.07	M10	16.00	18.40	0.62



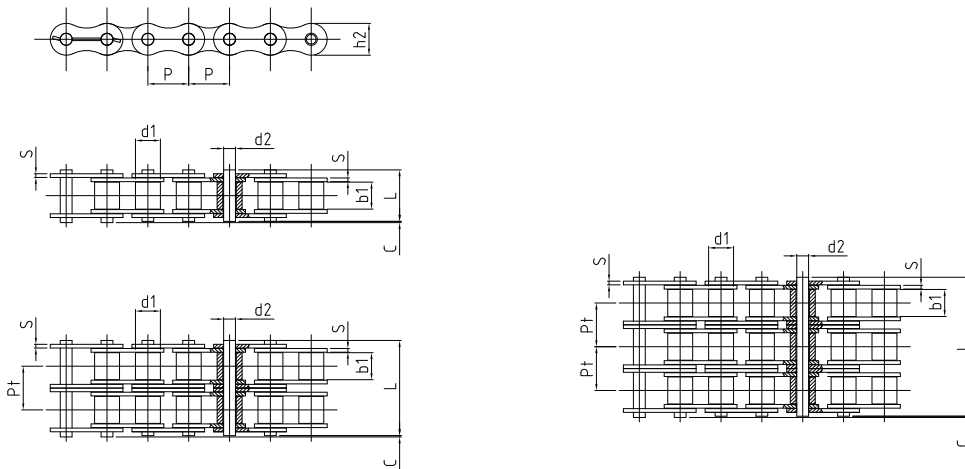
Catena Chain	Passo <i>Pitch</i>	Diametro Perno <i>Pin diameter</i>	Largh. catena ribadita <i>Riveted chain width</i>		Altezza piastre interne <i>Inner plates depth</i>	Bullone <i>Bolt Type</i>	Carico di rottura min. <i>Ultimate tensile strength</i>	Carico di rottura medio <i>Average tensile strength</i>	Peso al metro <i>Weight per meter</i>
	P	d ₂ max	L max	Lc max	h ₂ max	M nom	Q min	Q ₀	q ≈
	mm	mm	mm	mm	mm	mm	kN	kN	kg/m
LTAL666	19.05	5.94	32.69	35.10	15.62	M20	114	131	2.43

Catene per sollevamento veicoli / Vehicles lifting chains



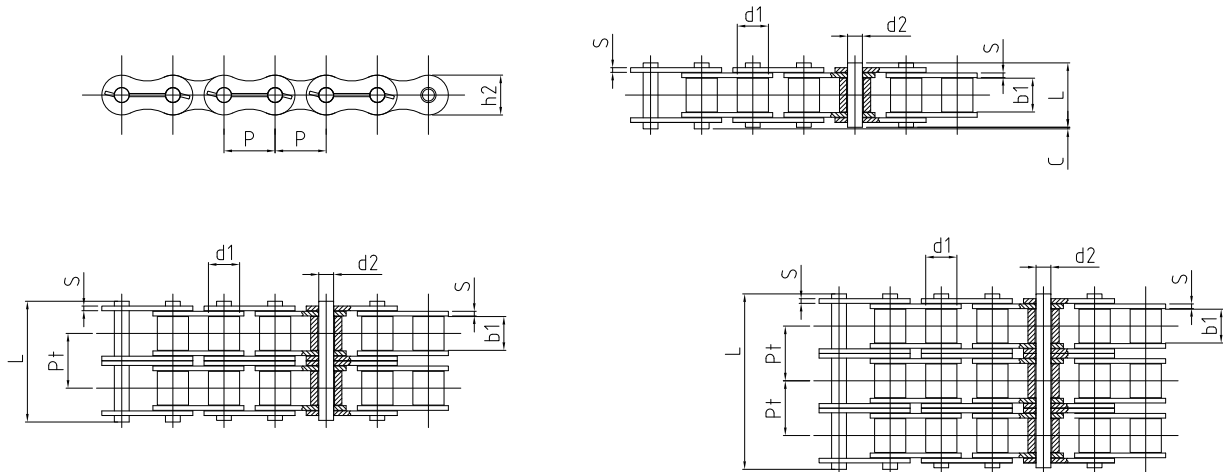
Catena Chain	Passo Pitch	Diam. Rullo Roller diameter	Larghezza interna Width between inner plates	Diametro Perno Pin diameter	Largh. catena ribadita Riveted chain width		Altezza piastre interne Inner plates depth	Bullone Bolt Type	Carico di rottura min. Ultimate tensile strength	Carico di rottura medio Average tensile strength	Peso al metro Weight per meter
	P	d_1 max	b_1 min	d_2 max	L max	Lc max	h_2 max	M nom	Q min	Q_0	q ≈
	mm	mm	mm	mm	mm	mm	mm	mm	kN	kN	kg/m
LT80-1	24.40	15.88	15.75	7.92	32.7	36.5	24.0	M16/M20	71.55	81.8	2.60
LT80-2	25.40	15.88	15.75	7.92	62.7	65.8	24.0	M20	143.10	163.6	5.15
LT100-1	31.75	19.05	18.90	9.53	40.4	44.7	30.0	M24	107.85	120.0	3.91
LT100-2	31.75	19.05	18.90	9.53	76.4	80.5	30.0	M24	215.70	260.0	7.80
LT100-3	31.75	19.05	18.90	9.53	112.2	116.3	30.0	M24	323.55	345.0	11.77
LT120-1	38.10	22.23	25.22	11.10	50.3	54.3	35.7	M30	154.50	176.6	5.62

Catene per giacimenti petroliferi / Oil Fields Chains



Catena API API Chain	Catena GB/ISO GB/ISO Chain	Passo	Diam. Rullo	Larghezza interna del giunto	Diametro del perno	Spessore maglia	Altezza piastra	Passo Trasversale	Largh. catena ribadita	Larg. agg. del disp. di bloccaggio	Carico di tensione	Peso al metro
		Pitch	Roller diameter	Inner width of inner chain link	Pin diameter	Plate thickness	Plate height	Transverse pitch	Cottered chain width	Additional width of lock device	Tensile load	Weight per meter
		p	d _{1 max}	b _{1 max}	d _{2 min}	S max	h _{2 max}	Pt	L	C min	Q ₀	q ≈
mm	mm	mm	mm	mm	mm	mm	mm	mm	kN	kN	kg/m	
80G-1	16A-1	25.40	15.87	15.75	7.94	3.18	24.13		32.60	3.60	55.60	2.76
80G-2	16A-2	25.40	15.87	15.75	7.94	3.18	24.13	29.29	61.90	3.60	111.20	5.45
80G-3	16A-3	25.40	15.87	15.75	7.94	3.18	24.13	29.29	91.20	3.60	166.80	8.15
100G-1	20A-1	31-75	19.05	18.90	9.54	3.96	30.18		39.60	4.00	86.74	4.15
100G-2	20A-2	31-75	19.05	18.90	9.54	3.96	30.18	35.76	75.40	4.00	173.48	8.20
100G-3	20A-3	31-75	19.05	18.90	9.54	3.96	30.18	35.76	111.20	4.00	260.22	12.24
120G-1	24A-1	38.10	22.22	25.23	11.11	4.75	36.20		49.90	4.20	125.10	6.05
120G-2	24A-2	38.10	22.22	25.23	11.11	4.75	36.20	45.44	95.30	4.20	250.20	11.99
120G-3	24A-3	38.10	22.22	25.23	11.11	4.75	36.20	45.44	140.80	4.20	375.30	17.93
140G-1	28A-1	44.45	25.40	25.23	12.71	5.56	42.24		53.70	4.70	170.27	7.99
140G-2	28A-2	44.45	25.40	25.23	12.71	5.56	42.24	48.87	102.60	4.70	340.54	15.44
140G-3	28A-3	44.45	25.40	25.23	12.71	5.56	42.24	48.87	151.40	4.70	510.81	23.09
160G-1	32A-1	50.80	28.57	31.55	14.29	6.35	48.26		63.90	5.10	222.40	10.33
160G-2	32A-2	50.80	28.57	31.55	14.29	6.35	48.26	58.55	122.50	5.10	444.80	20.50
160G-3	32A-3	50.80	28.57	31.55	14.29	6.35	48.26	58.55	181.00	5.10	667.20	30.67
180G-1	36A-1	57.15	35.71	35.48	17.46	7.14	54.31		72.20	5.50	280.20	13.78
180G-2	36A-2	57.15	35.71	35.48	17.46	7.14	54.31	65.84	138.00	5.50	560.50	27.70
180G-3	36A-3	57.15	35.71	35.48	17.46	7.14	54.31	65.84	203.90	5.50	840.70	41.44
200G-1	40A-1	63.50	39.67	37.85	19.85	7.92	60.33		77.90	6.60	347.50	17.04
200G-2	40A-2	63.50	39.67	37.85	19.85	7.92	60.33	71.55	149.50	6.60	695.00	33.83
200G-3	40A-3	63.50	39.67	37.85	19.85	7.92	60.33	71.55	221.00	6.60	1042.5	50.63
240G-1	48A-1	76.20	47.62	47.35	23.81	9.52	72.39		95.10	7.10	500.40	24.93
240G-2	48A-2	76.20	47.62	47.35	23.81	9.52	72.39	87.83	183.00	7.10	1000.80	49.54
240G-3	48A-3	76.20	47.62	47.35	23.81	9.52	72.39	87.83	270.80	7.10	1501.20	74.16

Catene per giacimenti petroliferi / Oil Fields Chains

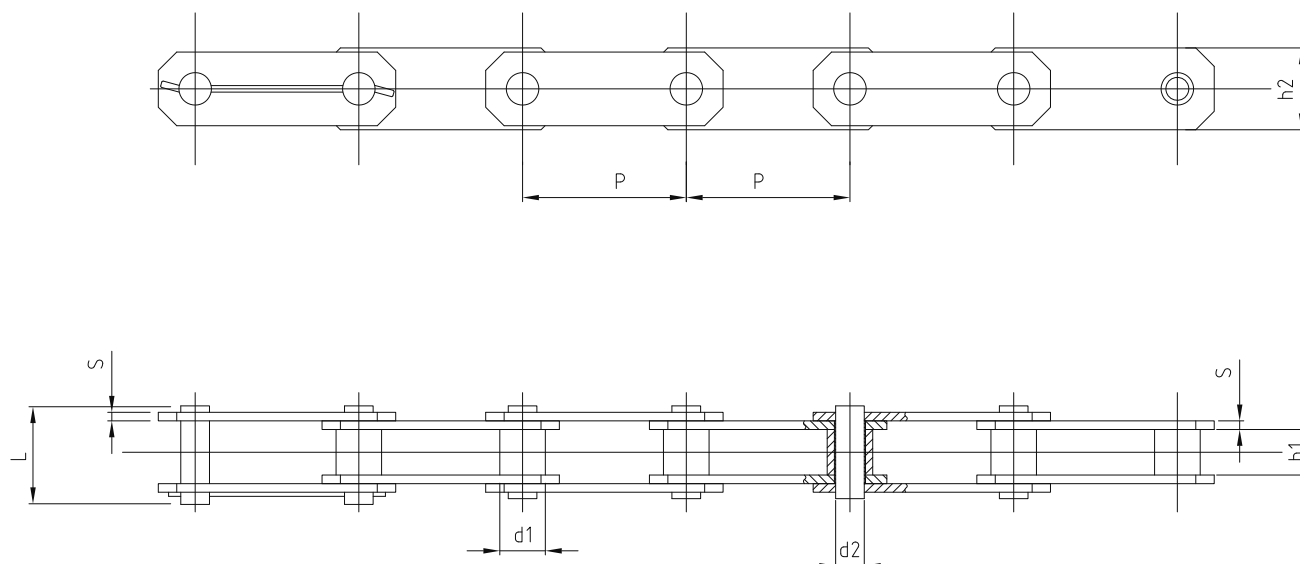


Catena API API Chain	Catena GB/ISO GB/ISO Chain	Passo Pitch	Diam. Rullo Roller diameter	Larghezza interna del giunto Inner width of inner chain link	Diametro del perno Pin diameter	Spessore maglia Plate thickness	Altezza piastra Plate height	Passo Trasversale Transverse pitch	Larghezza catena ribadita Cotted chain width	Carico di tensione Tensile load	Peso al metro Weight per meter
		P	d ₁ max	b ₁ max	d ₂ min	S max	h ₂ max	Pt	L	Q ₀	q _≈
		mm	mm	mm	mm	mm	mm	mm	mm	mm	kN
80GA-1	16A-1	25.40	15.87	15.75	7.94	3.18	24.13		36.20	55.60	2.84
80GA-2	16A-2	25.40	15.87	15.75	7.94	3.18	24.13	29.29	65.50	111.20	5.54
80GA-3	16A-3	25.40	15.87	15.75	7.94	3.18	24.13	29.29	94.80	166.80	8.23
80GA-4	16A-4	25.40	15.87	15.75	7.94	3.18	24.13	29.29	124.10	222.40	10.93
80GA-5	16A-5	25.40	15.87	15.75	7.94	3.18	24.13	29.29	153.40	278.00	13.63
80GA-6	16A-6	25.40	15.87	15.75	7.94	3.18	24.13	29.29	182.70	333.60	16.32
80GA-8	16A-8	25.40	15.87	15.75	7.94	3.18	24.13	29.29	241.20	444.80	21.72
100GA-1	20A-1	31.75	19.05	18.90	9.54	3.96	30.18		43.60	86.74	4.25
100GA-2	20A-2	31.75	19.05	18.90	9.54	3.96	30.18	35.76	79.40	173.48	8.31
100GA-3	20A-3	31.75	19.05	18.90	9.54	3.96	30.18	35.76	115.20	260.22	12.36
100GA-4	20A-4	31.75	19.05	18.90	9.54	3.96	30.18	35.76	150.90	346.96	16.41
100GA-5	20A-6	31.75	19.05	18.90	9.54	3.96	30.18	35.76	186.60	433.70	20.47
100GA-6	20A-6	31.75	19.05	18.90	9.54	3.96	30.18	35.76	222.40	520.44	24.52
100GA-8	20A-8	31.75	19.05	18.90	9.54	3.96	30.18	35.76	293.90	693.92	32.63
120GA-1	24A-1	38.10	22.22	25.23	11.11	4.75	36.20		54.10	125.10	6.18
120GA-2	24A-2	38.10	22.22	25.23	11.11	4.75	36.20	45.44	99.50	250.20	12.12
120GA-3	24A-3	38.10	22.22	25.23	11.11	4.75	36.20	45.44	145.00	375.30	18.06
120GA-4	24A-4	38.10	22.22	25.23	11.11	4.75	36.20	45.44	190.40	500.40	23.99
120GA-5	24A-5	38.10	22.22	25.23	11.11	4.75	36.20	45.44	235.90	625.50	29.93
120GA-6	24A-6	38.10	22.22	25.23	11.11	4.75	36.20	45.44	281.30	750.60	35.87
120GA-8	24A-8	38.10	22.22	25.23	11.11	4.75	36.20	45.44	372.20	1000.80	47.75
120GA-10	24A-10	38.10	22.22	25.23	11.11	4.75	36.20	45.44	463.10	1251.00	59.63
140GA-1	28A-1	44.45	25.40	25.23	12.71	5.56	42.24		58.40	170.27	7.94
140GA-2	28A-2	44.45	25.40	25.23	12.71	5.56	42.24	48.87	107.30	340.54	15.60

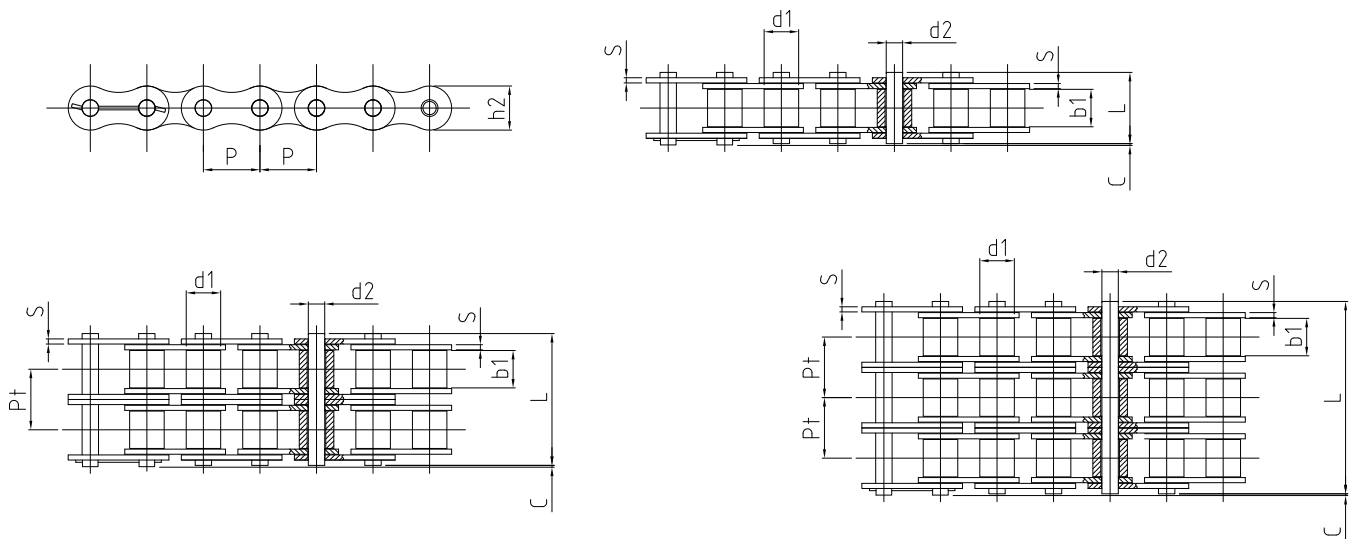
Catene per giacimenti petroliferi / *Oil Fields Chains*

Catena API API Chain	Catena GB/ISO GB/ISO Chain	Passo Pitch	Diam. Rullo Roller diameter	Larghezza interna del giunto Inner width of inner chain link	Diametro del perno Pin diameter	Spessore maglia Plate thickness	Altezza piastra Plate height	Passo Trasversale Transverse pitch	Larghezza catena ribadita Cottered chain width	Carico di tensionamento Tensile load	Peso al metro Weight per meter
		P	d ₁ max	b ₁ max	d ₂ min	S max	h ₂ max	Pt	L	Q ₀	q ≈
		mm	mm	mm	mm	mm	mm	mm	mm	kN	kg/m
140GA-3	28A-3	44.45	25.40	25.23	12.71	5.56	42.24	48.87	156.10	510.81	23.25
140GA-4	28A-4	44.45	25.40	25.23	12.71	5.56	42.24	48.87	205.00	681.08	30.90
140GA-5	28A-5	44.45	25.40	25.23	12.71	5.56	42.24	48.87	253.90	851.35	38.55
140GA-6	28A-6	44.45	25.40	25.23	12.71	5.56	42.24	48.87	302.80	1021.62	46.20
140GA-8	28A-8	44.45	25.40	25.23	12.71	5.56	42.24	48.87	400.50	1362.16	61.50
140GA-10	28A-10	44.45	25.40	25.23	12.71	5.56	42.24	48.87	498.20	1702.70	76.81
160GA-1	32A-1	50.80	28.57	31.55	14.29	6.35	48.26		69.00	222.40	10.47
160GA-2	32A-2	50.80	28.57	31.55	14.29	6.35	48.26	58.55	127.60	444.80	20.65
160GA-3	32A-3	50.80	28.57	31.55	14.29	6.35	48.26	58.55	186.10	667.20	30.82
160GA-4	32A-4	50.80	28.57	31.55	14.29	6.35	48.26	58.55	244.70	889.60	40.99
160GA-5	32A-5	50.80	28.57	31.55	14.29	6.35	48.26	58.55	303.20	1112.00	51.60
160GA-6	32A-6	50.80	28.57	31.55	14.29	6.35	48.26	58.55	361.80	1334.40	61.33
160GA-8	32A-8	50.80	28.57	31.55	14.29	6.35	48.26	58.55	478.90	1779.20	81.68
180GA-1	36A-1	57.15	35.71	35.48	17.46	7.14	54.31		77.70	280.20	13.96
180GA-2	36A-2	57.15	35.71	35.48	17.46	7.14	54.31	65.84	133.50	560.50	27.88
180GA-3	36A-3	57.15	35.71	35.48	17.46	7.14	54.31	65.84	209.40	840.70	41.62
180GA-4	36A-4	57.15	35.71	35.48	17.46	7.14	54.31	65.84	275.20	1121.00	55.36
200GA-1	40A-1	63.50	39.67	37.85	19.85	7.92	60.33		84.50	347.50	17.35
200GA-2	40A-2	63.50	39.67	37.85	19.85	7.92	60.33	71.55	156.10	695.00	34.14
200GA-3	40A-3	63.50	39.67	37.85	19.85	7.92	60.33	71.55	227.60	1042.50	50.94
200GA-4	40A-4	63.50	39.67	37.85	19.85	7.92	60.33	71.55	299.20	1390.00	67.73
240GA-1	48A-1	76.20	47.62	47.35	23.81	9.52	72.39		102.20	500.40	25.20
240GA-2	48A-2	76.20	47.62	47.35	23.81	9.52	72.39	87.83	190.10	1000.80	49.81
240GA-3	48A-3	76.20	47.62	47.35	23.81	9.52	72.39	87.83	277.90	1501.20	74.43
240GA-4	48A-4	76.20	47.62	47.35	23.81	9.52	72.39	87.83	365.70	2001.60	99.04

Catene per giacimenti petroliferi / Oil Fields Chains



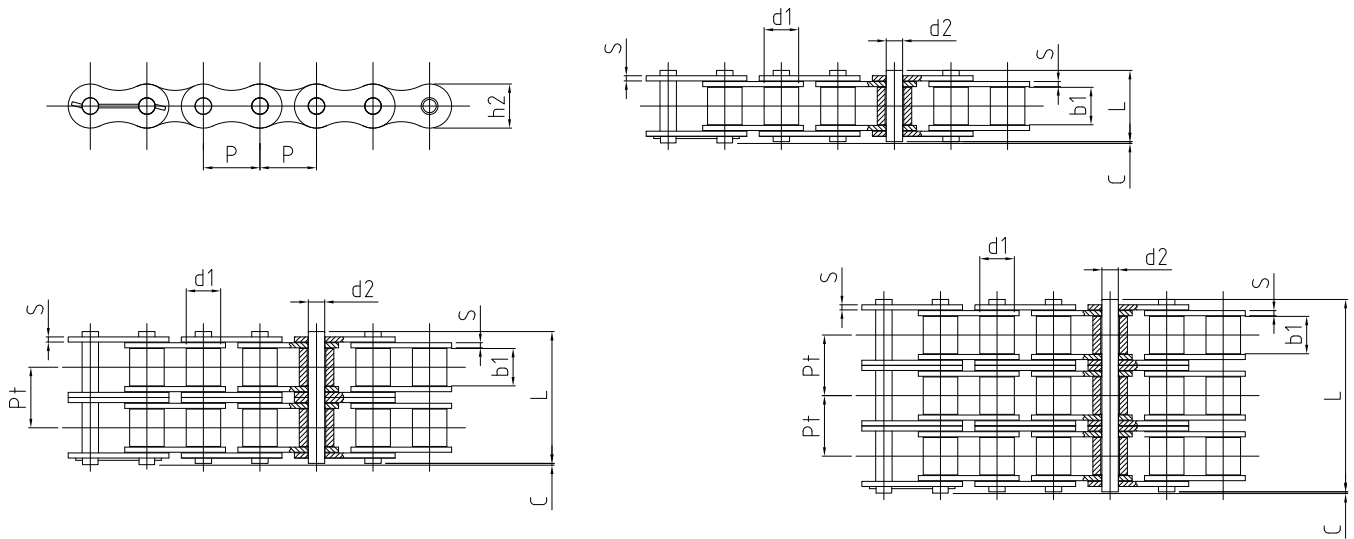
Catena Chain	Passo Pitch	Diam. rullo Roller diameter	Larghezza interna del giunto Inner width of inner chain link	Diametro del rullo Roller diameter	Spessore maglia Plate thickness	Altezza piastra Plate height	Larghezza catena ribadita Cottered chain width	Passo trasversale Transverse pitch	Carico di tensionamento Tensile load	Peso al metro Weight per meter
	P	d ₁ max	b ₁ min	d ₂ max	s max	h ₂ max	L	Pt	min	kg/m
	mm	mm	mm	mm	mm	mm	mm	mm	kN	kg/m
S88.90	88.90	44.45	36.10	23.81	12.70	63.50	107.00		550.00	24.40
S77.90	77.90	41.28	39.60	19.08	9.70	60.00	95.50		378.00	18.90
S103	103.45	57.15	49.30	27.97	14.20	73.00	134.90		700.00	32.70
S114	114.30	63.50	52.30	31.78	14.20	91.90	141.20		900.00	42.90
S127	127.00	66.68	55.55	33.34	15.88	88.90	150.00		934.00	59.60
S125	125.40	76.02	80.60	52.00	20.20	132.00	188.00		2167.00	111.40

Catene per macchine portuali / Port Machines Chains


Catene precise a rulli da trasmissione della Serie A a bassa velocità ed alto carico passo corto (Catene per macchine da porto)
 Low speed and high load A Series Small pitch precision roller chains for transmission (Port machines chains)

Catena Chain	Catena GB/ISO GB/ISO Chain	Passo	Diam. rullo	Larghezza interna del giunto	Diametro del perno	Spessore maglia	Altezza piastra	Passo Trasversale	Largh. catena ribadita	Larg. agg. del disp. di bloccaggio	Carico di tensionamento	Peso al metro
		P	d ₁ max	b ₁ max	d ₂ min	s	h ₂ max	Pt	L max	c	min	
		mm	mm	mm	mm	mm	mm	mm	mm	mm	kN	kg/m
80Sw-1	16A-1	25.40	Φ15.80	15.75 min	Φ7.90	3.18	24.13	/	32.60	3.60	70.60	2.76
80Sw-2	16A-2	25.40	Φ15.80	15.75 min	Φ7.90	3.18	24.13	29.29	61.90	3.60	141.20	5.45
80Sw-3	16A-3	25.40	Φ15.80	15.75 min	Φ7.90	3.18	24.13	29.29	91.20	3.60	211.80	8.15
80Sw-4	16A-4	25.40	Φ15.80	15.75 min	Φ7.90	3.18	24.13	29.29	120.50	3.60	282.40	10.82
100Sw-1	20A-1	31.75	Φ19.00	18.90 min	Φ9.50	3.96	30.18	/	39.60	4.00	105.90	4.15
100Sw-2	20A-2	31.75	Φ19.00	18.90 min	Φ9.50	3.96	30.18	35.76	75.40	4.00	211.80	8.20
100Sw-3	20A-3	31.75	Φ19.00	18.90 min	Φ9.50	3.96	30.18	35.76	111.20	4.00	317.70	12.25
100Sw-4	20A-4	31.75	Φ19.00	18.90 min	Φ9.50	3.96	30.18	35.76	147.00	4.00	423.60	16.31
120Sw-1	24A-1	38.10	Φ22.20	25.23 min	Φ11.10	4.75	36.20	/	49.90	4.20	150.00	6.05
120Sw-2	24A-2	38.10	Φ22.20	25.23 min	Φ11.10	4.75	36.20	45.44	95.30	4.20	300.00	11.99
120Sw-3	24A-3	38.10	Φ22.20	25.23 min	Φ11.10	4.75	36.20	45.44	140.80	4.20	450.00	17.93
120Sw-4	24A-4	38.10	Φ22.20	25.23 min	Φ11.10	4.75	36.20	45.44	186.20	4.20	600.00	23.82
140Sw-1	28A-1	44.45	Φ25.40	25.23 min	Φ12.70	5.56	42.24	/	53.70	4.70	194.20	7.99
140Sw-2	28A-2	44.45	Φ25.40	25.23 min	Φ12.70	5.56	42.24	48.87	102.60	4.70	388.40	15.44
140Sw-3	28A-3	44.45	Φ25.40	25.23 min	Φ12.70	5.56	42.24	48.87	151.40	4.70	525.60	23.09
140Sw-4	28A-4	44.45	Φ25.40	25.23 min	Φ12.70	5.56	42.24	48.87	200.30	4.70	776.80	30.72
160Sw-1	32A-1	50.80	Φ28.50	31.55 min	Φ14.20	6.35	48.26	/	63.90	5.10	247.10	10.33
160Sw-2	32A-2	50.80	Φ28.50	31.55 min	Φ14.20	6.35	48.26	58.55	122.50	5.10	494.20	20.50
160Sw-3	32A-3	50.80	Φ28.50	31.55 min	Φ14.20	6.35	48.26	58.55	181.00	5.10	741.30	30.67
160Sw-4	32A-4	50.80	Φ28.50	31.55 min	Φ14.20	6.35	48.26	58.55	239.60	5.10	988.40	40.85

Catene per macchine portuali / Port Machines Chains



Catena a rulli di precisione a passo ridotto serie A a bassa velocità e carico elevato per trasmissione (Catene per macchine portuali)
 Low speed and high load A Series small pitch precision roller chains for transmission (Port machines chains)

Catena Chain	Catena GB/ISO Chain	Passo Pitch	Diam. rullo Roller diameter	Larghezza interna del giunto Inner width of inner chain link	Diametro del perno Pin diameter	Spessore maglia Plate thickness	Altezza piastra Plate height	Passo trasversale Transverse pitch	Largh. catena ribadita Cottered chain width	Larg. agg. del disp. di bloccaggio Additional width of lock device	Carico di tensionamento Tensile load	Peso al metro Weight per meter
		P	d _{1 max}	b _{1 max}	d _{2 min}	s	h _{2 max}	Pt	L max	c	min	
		mm	mm	mm	mm	mm	mm	mm	mm	mm	mm	kN
80Hsw-1	16AH-1	25.40	15.87	15.75	7.94	3.96	24.13		35.90	3.60	82.10	3.20
80Hsw-2	16AH-2	25.40	15.87	15.75	7.94	3.96	24.13		68.40	3.60	164.20	6.34
100Hsw-1	20AH-1	31.75	19.05	18.90	9.54	4.75	30.18		42.90	4.00	119.20	4.71
100Hsw-2	20AH-2	31.75	19.05	18.90	9.54	4.75	30.18		82.00	4.00	238.40	9.33
120Hsw-1	24AH-1	38.10	22.22	25.23	11.11	5.56	36.20		53.30	4.20	163.30	6.72
120Hsw-2	24AH-2	38.10	22.22	25.23	11.11	5.56	36.20		102.20	4.20	326.60	13.35
200Hsw-1	40AH-1	63.50	39.67	37.85	22.00	9.52	60.33		84.60	6.60	440.00	20.00
200Hsw-2	40AH-2	63.50	39.67	37.85	22.00	9.52	60.33		162.90	6.60	880.00	39.20
200Hsw-3	40AH-3	63.50	39.67	37.85	22.00	9.52	60.33		241.20	6.60	1320.00	58.50

